

# Powerlite

Phone 02 9912 5000 Email sales@powerlite.com.au Website www.powerlite.com.au



**GMS100CS-AU**  
**110 kVA 88kW Standby**  
**100kVA Prime 80kW**

## Technical

Model	GMS100CS
Type	Heavy duty
Speed	1500RPM
Phase/Voltage	3-415
Frequency	50Hz
Standby Power	110VA
Prime Power	100kVA
Noise Level Av (dba @ 7m)	69dba
Fuel Capacity	610L
Ambient Temp	50deg C

## Alternator

Manufacturer	Stamford
Model	UCI224C
Type	Brushless
Harmonic Distortion	Less than 5%
Protection Class	IP 23
Insulation Class	Class H

## Dimensions & Weight

Length	3.32m
Width	1.19m
Height	1.97m
Weight Dry	2250Kg

## Outlets

BUS ONLY  
OUTLET PACKAGE AS OPTION

## Engine

Manufacturer	Cummins
Model	6BT5.9G1/2
Type	4 Stroke Diesel
Induction	Turbo Charged
Fuel Consumption	21.6 L/hr @ 100% Load
Coolant Capacity	37.7.0L
Governor	Mechanical/Electronic
Cubic Capacity	5.9 L
Oil Capacity	16.5 L

## Controls

Controller	Deep Sea 7420
Circuit Breaker	ABB or equivalent
Battery Isolator	Fitted
Battery Charger	Fitted

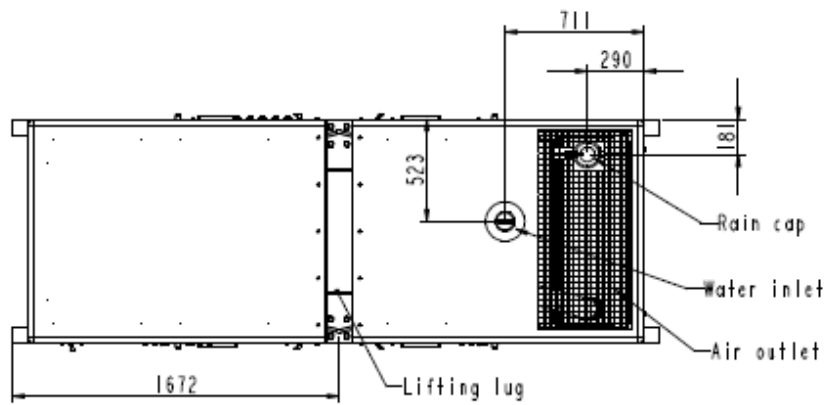
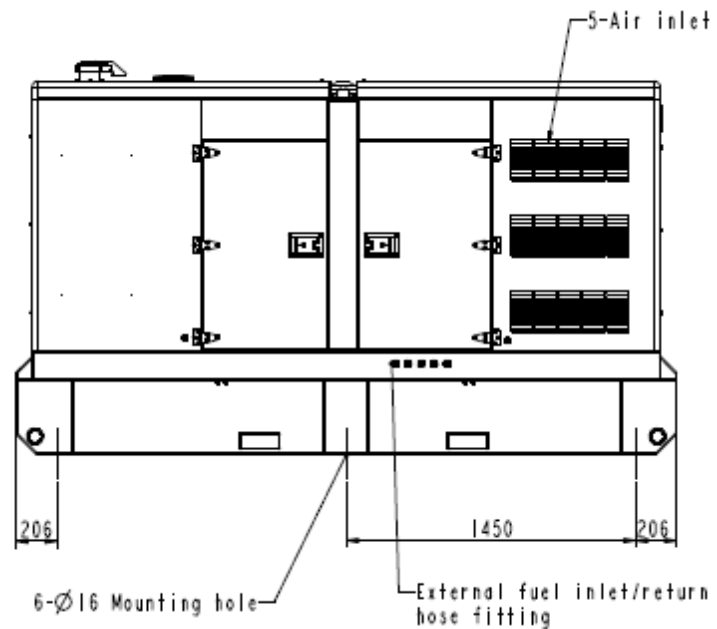
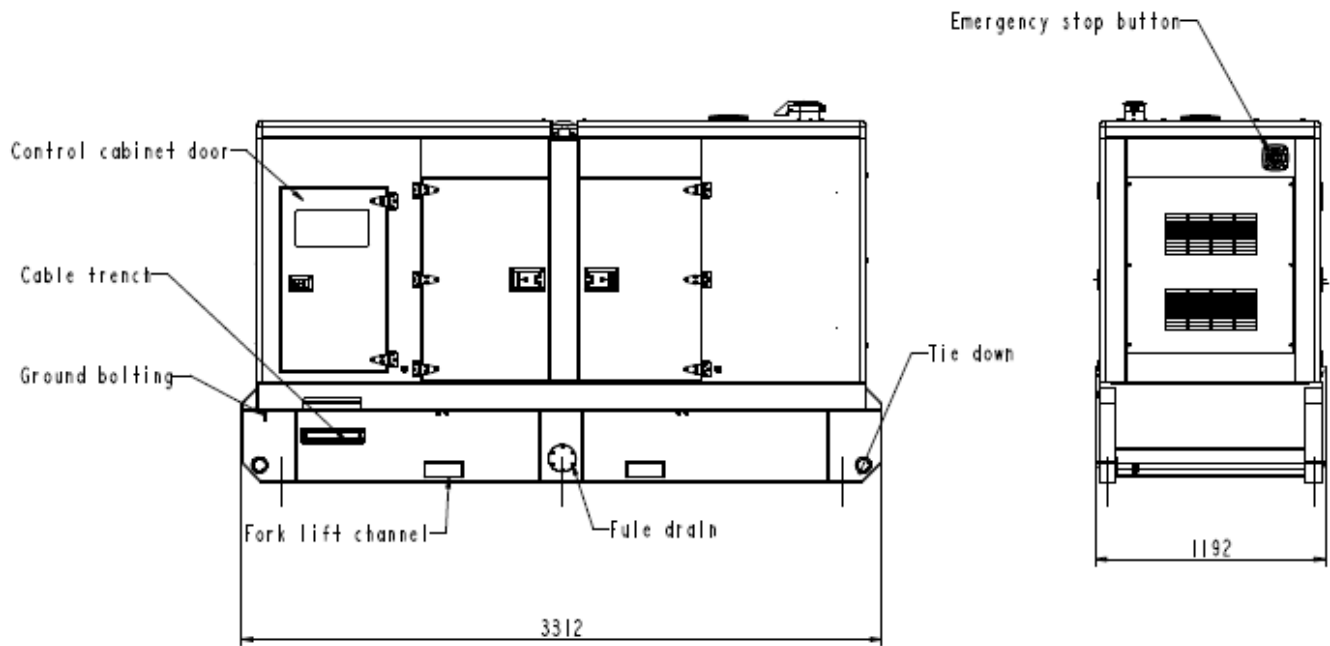
## Canopy

Skid	Bunded fuel tank with tie down points and fork lift pockets
Canopy	Centre lift with lockable doors, Galvanized sheet, External Emergency Stop fitted.
Paint Finish	Heavy Duty Powder Coat White/Yellow with Black base

## Options

PMG Coolant Heater Installation Service,  
Synchronising Package,  
Fire suppression, Mine compliance

# Powerlite



# DSE7410/20

## AUTO START & AUTO MAINS FAILURE MODULES

### FEATURES



The DSE7410 is an Auto Start Control Module and the DSE7420 is an Auto Mains (Utility) Failure Control Module suitable for a wide variety of single, diesel or gas, gen-set applications.

A sophisticated module monitoring an extensive number of engine parameters, the DSE74xx will annunciate warnings, shutdown and engine status information on the back-lit LCD screen, illuminated LED, remote PC, and audible alarms. The module includes RS232, RS485 & Ethernet ports as well as dedicated terminals for system expansion.

The DSE7400 Series modules are compatible with electronic (CAN) and non-electronic (magnetic pick-up/alternator sensing) engines and offer a comprehensive number of flexible inputs, outputs and extensive engine protections so the system can be easily adapted to meet industry requirements.

The modules can be easily configured using the DSE Configuration Suite Software. Selected front panel editing is also available.



### KEY FEATURES

- 4-Line back-lit LCD text display
- Five key menu navigation
- Front panel editing with PIN protection
- Customisable status screens
- Power save mode
- 11 configurable inputs
- 8 configurable outputs
- Flexible sensor inputs
- Configurable timers and alarms
- 3 configurable maintenance alarms
- Multiple date and time scheduler
- Configurable event log (250)
- Tier 4 CAN engine support
- Integral PLC editor
- Easy access diagnostic page
- CAN and Magnetic Pick-up/Alt. sensing
- Fuel usage monitor and low fuel alarms
- Charge alternator failure alarm
- Manual speed control (on compatible CAN engines)
- Manual fuel pump control
- Engine exerciser
- "Protections disabled" feature
- kW protection
- Reverse power (kW) protection

- LED and LCD alarm indication
- Power monitoring (kW h, kV Ar, kV A h, kV Ar h)
- Load switching (load shedding and dummy load outputs)
- Automatic load transfer (DSE7420)
- Unbalanced load protection
- Independent Earth Fault trip
- USB connectivity
- Backed up real time clock
- Fully configurable via DSE Configuration Suite PC software
- Configurable display languages
- Remote SCADA monitoring via DSE Configuration Suite PC software
- User selectable simultaneous RS232, RS485 & Ethernet communications
- Configurable MODBUS pages
- MODBUS RTU & TCP support
- Advanced SMS messaging (additional external modem required)
- Additional display screens to help with modem diagnostics
- Idle control for starting
- DSENet® expansion compatible
- 20 parameter data logging

### KEY BENEFITS

- 132 x 64 pixel ratio display for clarity
- Real-time clock provides accurate event logging
- Multiple date and time scheduler
- Set maintenance periods can be configured to maintain optimum engine performance
- Built in ethernet communications provides advanced remote monitoring
- Modules can be integrated into building management systems (BMS) using MODBUS
- Increased input and output expansion capability via DSENet®
- Licence-free PC software
- IP65 rating (with supplied gasket) offers increased resistance to water ingress
- PLC editor allows user configurable functions to meet specific application requirements
- Data logging to assist with fault finding