



# Podlite™ 300

Podlite™ 300 is the smaller version of the Podlite™ 600 although half the size of the Podlite™ 600 it is extremely powerful and portable.

The Podlite™300 is suitable for both DC and AC applications consuming only 315W between 18-60VDC ensuring an impressive 130 Lumens per Watt (40,950 Lumens in total) and can be used for outdoor or indoor applications.

Paired with a robust adjustable tripod stand this makes the Podlite™ 300 the most universal area light covering a wide range of applications.

Optional 360°/180° illuminations switch allowing the user to switch off half of the Podlite™ for light sensitive areas.

## Advantages:

- Sealed and tested to IP66
- Powerful and Portable
- DC/AC
- Maintenance free
- 18-60V input range
- CE Certified
- Dimming capabilities

## SPECIFICATIONS

Light Source	LED
Power Supply	18-60VDC or 90-305VAC
Power Supply	50-60Hz
Power Consumption	315w
Power Consumption	6.7A@48VDC 13.4A@24VDC
Mass	13kg (28.6lb)
IP Rating	66
Approvals	EMC CE ROHS IP66
Temperature Range	-40° - + 50° C or -40° - +122° F

## APPLICATIONS

- Road/Construction lighting
- Security/Perimeter lighting
- Hire
- Mining
- Events/Festival lighting
- Tunnel lighting
- Oil & gas
- Marine
- Industrial lighting

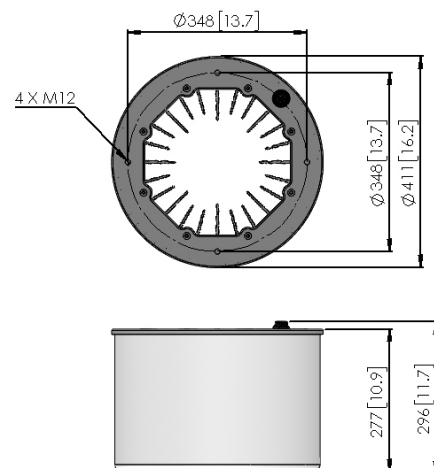
## ACCESSORIES



Winch Stand

2.2 Metre (86.6 Inches) or  
3.5 Metre (137.8 Inches)  
Versions Available

## DIAGRAM



Inches shown in brackets

**Powerlite**  
POWER • LIGHTING • TRAFFIC

p: 02 9912 5000 e: sales@powerlite.com.au w: powerlite.com.au

